

Passend für/Suitable for Mairali

1 Magnetventile/Solenoid valves

Scem/Parker



| Abb. Pict. | Bestell-Nr. Order-No. | Beschreibung Description |
|------------|-----------------------|---|
| 1 | 370057 | kpl., 3 Wege, 230VAC cpl., 3 ways, 230VAC |
| 2 | 370060 | kpl., 3 Wege, mit Kabel, 230VAC cpl., 3 ways, with cable, 230VAC |
| 3 | 370062 | Ventilkörper Solenoid square pin |

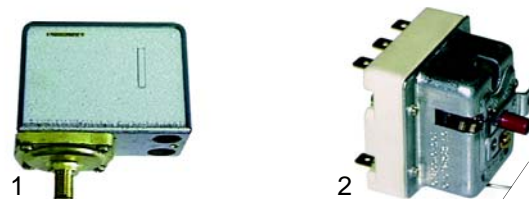


| Abb. Pict. | B.-Nr. O.-No. | Beschreibung Description |
|------------|---------------|---|
| 1 | 370059 | kpl., 3 Wege, 1/4", 230VAC cpl., 3 ways, 1/4", 230VAC |
| 2 | 370206 | kpl., 2 Wege, 230VAC cpl., 2 ways, 230VAC |
| 3 | 371029 | Magnetspule, 230VAC Magnetic coil, 230VAC |
| 4 | 371033 | Magnetspule, mit Kabel, 230VAC Magnetic coil, with cable, 230VAC |



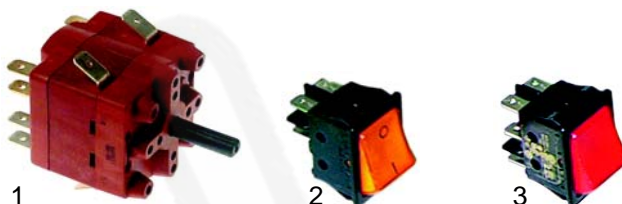
| Abb. Pict. | Bestell-Nr. Order-No. | Beschreibung Description |
|------------|-----------------------|--------------------------------------|
| 1 | 371090 | Stecker Plug |
| 2 | 371095 | O-Ring (Viton) O-ring (viton) |
| 3 | 371100 | O-Ring (Silikon) O-ring (Silicon) |

Pressostate, Thermostate/Pressure switches, thermostats



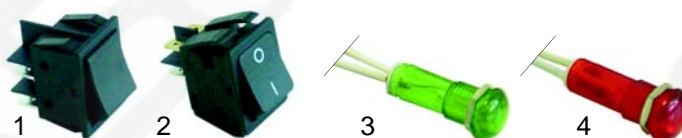
| Abb. Pict. | Bestell-Nr. Order-No. | Beschreibung Description |
|------------|-----------------------|--|
| 1 | 541021 | Pressostat, 3-polig Pressure switch, 3 poles |
| 2 | 390166 | Sicherheitsthermostat, 3-polig Safety thermostat, 3 poles |

Schalter/Switches



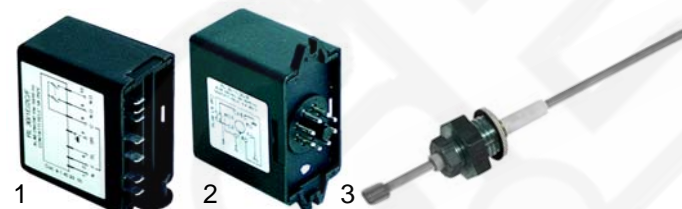
| Abb. Pict. | Bestell-Nr. Order-No. | Beschreibung Description |
|------------|-----------------------|---|
| 1 | 345157 | Hauptschalter Main switch |
| 2 | 301002 | Gruppenschalter Group switch |
| 3 | 301015 | Gruppenschalter, 2-poliger Wechsler Group switch, DPDT |

Schalter, Lampen/Switches, lamps



| Abb. Pict. | Bestell-Nr. Order-No. | Beschreibung Description |
|------------|-----------------------|--|
| 1 | 346066 | Schalter Switch |
| 2 | 346068 | Taster Push button |
| 3 | 359400 | Lampe/grün, 8mm, 230V Lamp/green, 8mm, 230V |
| 4 | 359401 | Lampe/rot, 8mm, 230V Lamp/red, 8mm, 230V |

Niveauregler/Level controller



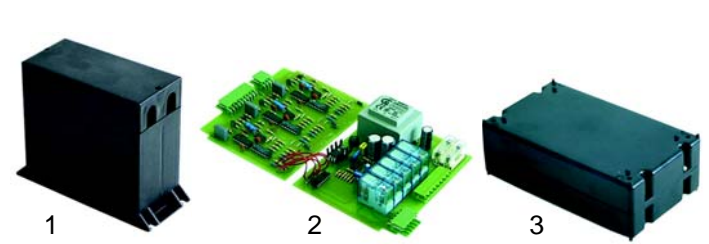
| Abb. Pict. | Bestell-Nr. Order-No. | Beschreibung Description |
|------------|-----------------------|--|
| 1 | 400019 | Niveauregler, RL30/1E-2C/F, 230V Level controller, RL30/1E-2C/F, 230V |
| 2 | 400237 | Niveauregler, RL30/1E-2C/8, 230V Level controller, RL30/1E-2C/8, 230V |
| 3 | 400020 | Niveausonde, 150mm Level probe, 150mm |

Relais/Relays



| Abb. Pict. | Bestell-Nr. Order-No. | Beschreibung Description |
|------------|-----------------------|-----------------------------------|
| 1 | 380151 | Zeitrelais Time relay |
| 2 | 380134 | Relais, 2 Wechsler Relay, DPDT |
| 3 | 380137 | Sockel, 8-polig Base, 8 poles |

Elektronik/Electronics



| Abb. Pict. | Bestell-Nr. Order-No. | Beschreibung Description |
|------------|-----------------------|---|
| 1 | 400316 | Elektronik-Box, 2 Gruppen Electronic box, 2 groups |
| 2 | 400443 | Elektronikplatine Electronic board |
| 3 | 400322 | Elektronik-Box, 2 - 3 Gruppen Electronic box, 2 - 3 groups |

Flowmeter/Flow-meters

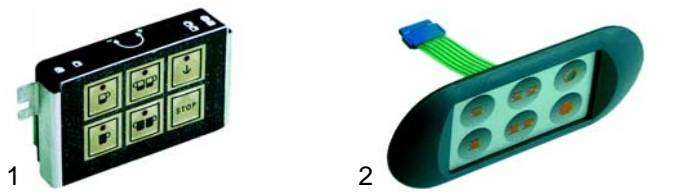


| Abb. Pict. | Bestell-Nr. Order-No. | Beschreibung Description |
|------------|-----------------------|------------------------------------|
| 1 | 400222 | Flowmeter, 1/4" Flowmeter, 1/4" |
| 2 | 400004 | Flowmeter, 1/4" Flowmeter, 1/4" |
| 3 | 400256 | Stecker Plug |
| 4 | 400257 | Zählrad Flowmeter reel |
| 5 | 400258 | Gehäusedichtung Case gasket |

Tastaturen/Key push buttons



| Abb. Pict. | Bestell-Nr. Order-No. | Beschreibung Description |
|------------|-----------------------|---|
| 1 | 400379 | Tastatur Key push button |
| 2 | 400320 | Tastatur-Kabel Key push button cable |



| Abb. Pict. | Bestell-Nr. Order-No. | Beschreibung Description |
|------------|-----------------------|---------------------------------------|
| 1 | 400450 | Tastatur/kpl. Key push button/cpl. |
| 2 | 400451 | Tastatur Key push button |

Passend für/Suitable for Mairali

1 Heizkörper/Heaters



| Pos. Item | Bestell-Nr. Order-No. | Beschreibung Description |
|--------------|--------------------------|--|
| 1 | 417003 | Heizkörper, 1-gruppig, 1800W, 230V Heater, 1 group, 1800W, 230V |

Mit Tauchhülse
With immersion socket



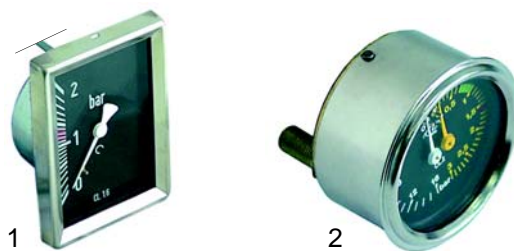
| Abb. Pict. | Bestell-Nr. Order-No. | Beschreibung Description |
|---------------|--------------------------|---|
| 1 | 417116 | Heizkörper, 1-gruppig, 1800W, 230V Heater, 1 group, 1800W, 230V |
| 2 | 417001 | Heizkörper, 2-gruppig, 2600W, 230V Heater, 2 groups, 2600W, 230V |
| 3 | 417109 | Heizkörper, 3-gruppig, 3700W, 230V Heater, 3 groups, 3700W, 230V |

Heizkörperdichtungen/Heater gaskets



| Abb. Pict. | Bestell-Nr. Order-No. | Beschreibung Description |
|---------------|--------------------------|--|
| 1 | 528488 | Dichtung (Klingerit) Gasket (klingerit) |
| 2 | 528002 | Dichtung (Teflon) Gasket (teflon) |

Manometer/Manometers



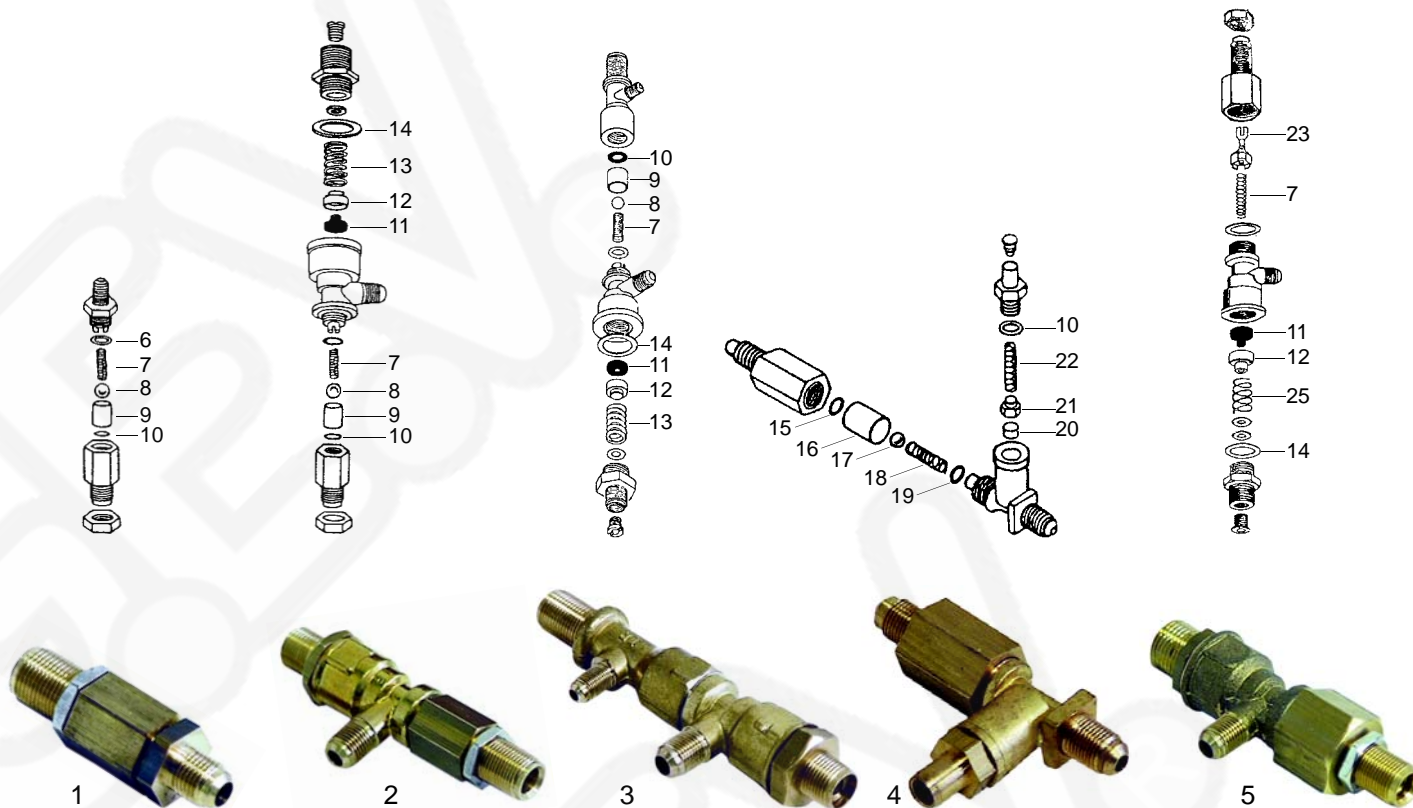
| Abb. Pict. | Bestell-Nr. Order-No. | Beschreibung Description |
|---------------|--------------------------|---|
| 1 | 541247 | Manometer, 0 - 2bar Manometer, 0 - 2bar |
| 2 | 541208 | Manometer, Doppelskala Manometer, double scale |

Ventile/Valves



| Abb. Pict. | Bestell-Nr. Order-No. | Beschreibung Description |
|---------------|--------------------------|---|
| 1 | 529312 | Sicherheitsventil, 1,8bar, 3/8" Safety valve, 1,8bar, 3/8" |
| 2 | 529316 | Sicherheitsventil/plombiert, 1,8bar, 3/8" Safety valv/sealed, 1,8bar, 3/8" |
| 3 | 529303 | Entlüftungsventil (CNS), 1/4" Empty valve (stainless steel), 1/4" |
| 4 | 529361 | Cu-Dichtung, 1/4" Cu-gasket, 1/4" |
| 5 | 529349 | Cu-Dichtung, 3/8" Cu-gasket, 3/8" |

Ventile/Valves



| Abb. Pict. | Bestell-Nr. Order-No. | Beschreibung Description |
|------------|-----------------------|--|
| 1 | 529322 | Rückschlagventil Retention valve |
| 2 | 529319 | Expansions- und Rückschlagventil Expansion- and retention valve |
| 3 | 529323 | Expansions- und Rückschlagventil Expansion- and retention valve |

| Abb. Pict. | Bestell-Nr. Order-No. | Beschreibung Description |
|------------|-----------------------|--|
| 4 | 529321 | Expansions- und Rückschlagventil Expansion- and retention valve |
| 5 | 529320 | Expansions- und Rückschlagventil Expansion- and retention valve |

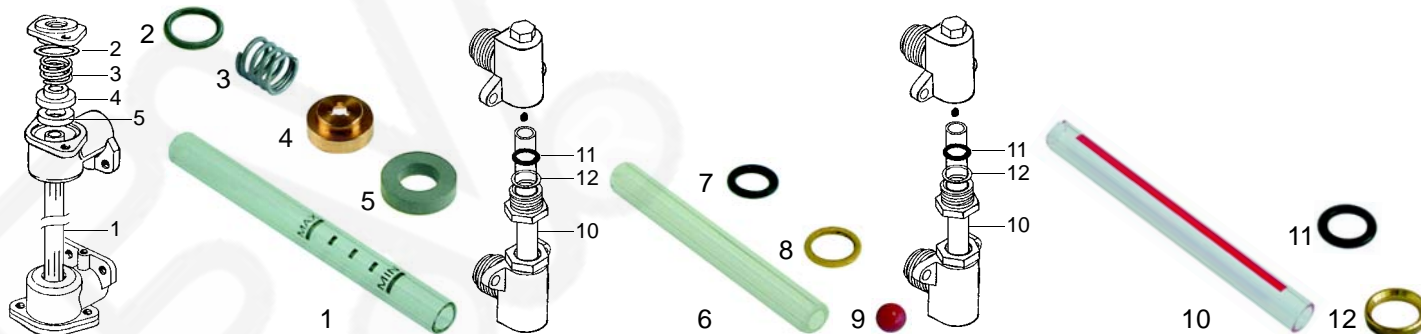


| Abb. Pict. | Bestell-Nr. Order-No. | Beschreibung Description |
|------------|-----------------------|---------------------------------------|
| 6 | 529368 | O-Ring O-ring |
| 7 | 528392 | Feder Spring |
| 8 | 528419 | Kugel (CNS) Ball (stainless steel) |
| 9 | 528768 | Buchse Bush |
| 10 | 529476 | O-Ring O-ring |
| 11 | 528425 | Dichtung Gasket |
| 12 | 528769 | Buchse Bush |

| Abb. Pict. | Bestell-Nr. Order-No. | Beschreibung Description |
|------------|-----------------------|---------------------------------------|
| 13 | 528424 | Feder Spring |
| 14 | 528420 | Cu-Dichtung Cu-gasket |
| 15 | 528478 | O-Ring (Viton) O-ring (viton) |
| 16 | 528770 | Buchse Bush |
| 17 | 528422 | Kugel (CNS) Ball (stainless steel) |
| 18 | 528421 | Feder Spring |
| 19 | 528771 | O-Ring O-ring |

| Abb. Pict. | Bestell-Nr. Order-No. | Beschreibung Description |
|------------|-----------------------|--------------------------|
| 20 | 528772 | Dichtung Gasket |
| 21 | 528773 | Buchse Bush |
| 22 | 528774 | Feder Spring |
| 23 | 528775 | Ventil Valve |
| 24 | 528776 | Dichtung Gasket |
| 25 | 528777 | Feder Spring |

Wasserstandsglas/Level glass

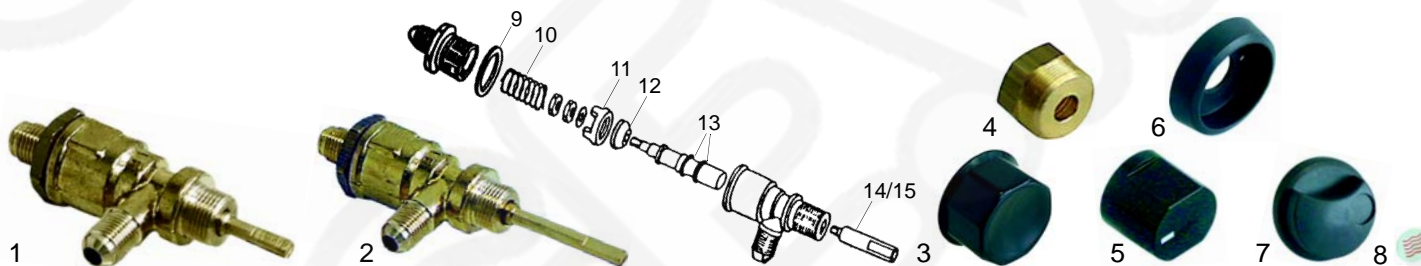


| Abb. Pict. | Bestell-Nr. Order-No. | Beschreibung Description |
|------------|-----------------------|---------------------------------|
| 1 | 529351 | Wasserstandsglas Level glass |
| 2 | 529357 | Dichtung Gasket |
| 3 | 529356 | Feder Spring |
| 4 | 528778 | Buchse Bush |

| Abb. Pict. | Bestell-Nr. Order-No. | Beschreibung Description |
|------------|-----------------------|---------------------------------|
| 5 | 529354 | Dichtung Gasket |
| 6 | 529367 | Wasserstandsglas Level glass |
| 7 | 529368 | O-Ring O-ring |
| 8 | 529369 | Scheibe Washer |

| Abb. Pict. | Bestell-Nr. Order-No. | Beschreibung Description |
|------------|-----------------------|---------------------------------|
| 9 | 529355 | Plastik-Kugel Plastic ball |
| 10 | 529387 | Wasserstandsglas Level glass |
| 11 | 528583 | O-Ring O-ring |
| 12 | 528682 | Scheibe Washer |

Wasserfüllventil/Water intake valve



| Abb. Pict. | Bestell-Nr. Order-No. | Beschreibung Description |
|------------|-----------------------|--|
| 1 | 529524 | Wasserfüllventil/kpl. Water intake valve/cpl. |
| 2 | 529525 | Wasserfüllventil/kpl., lange Achse Water intake valve/cpl., long axle |
| 3 | 111020 | Knebel Knob |

| Abb. Pict. | Bestell-Nr. Order-No. | Beschreibung Description |
|------------|-----------------------|-----------------------------|
| 4 | 528779 | Überwurfmutter Union nut |
| 5 | 111068 | Knebel Knob |
| 6 | 111069 | Rosette Rosette |

| Abb. Pict. | Bestell-Nr. Order-No. | Beschreibung Description |
|------------|-----------------------|--------------------------|
| 7 | 111098 | Knebel Knob |
| 8 | 111103 | Deckel Cap |



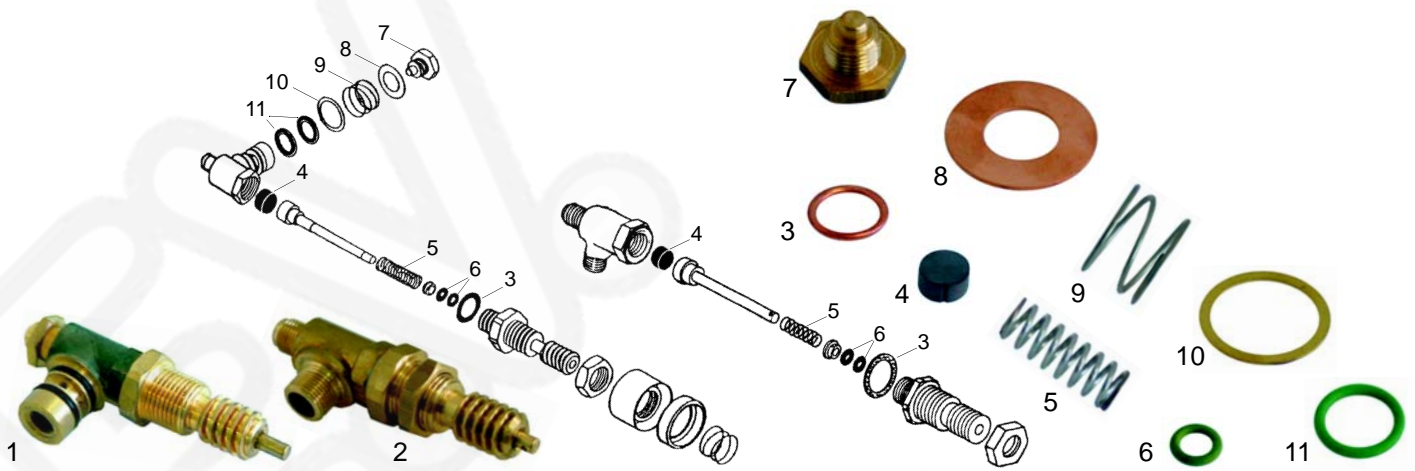
| Abb. Pict. | Bestell-Nr. Order-No. | Beschreibung Description |
|------------|-----------------------|--------------------------|
| 9 | 528420 | Cu-Dichtung Cu-gasket |
| 10 | 528423 | Feder Spring |
| 11 | 528595 | Buchse Bush |

| Abb. Pict. | Bestell-Nr. Order-No. | Beschreibung Description |
|------------|-----------------------|--------------------------|
| 12 | 528596 | Dichtung Gasket |
| 13 | 528469 | O-Ring O-ring |

| Abb. Pict. | Bestell-Nr. Order-No. | Beschreibung Description |
|------------|-----------------------|---|
| 14 | 528597 | Wellenverlängerung, 17mm Shaft extension, 17mm |
| 15 | 528598 | Welle, 42mm Shaft, 42mm |

Hähne/Taps

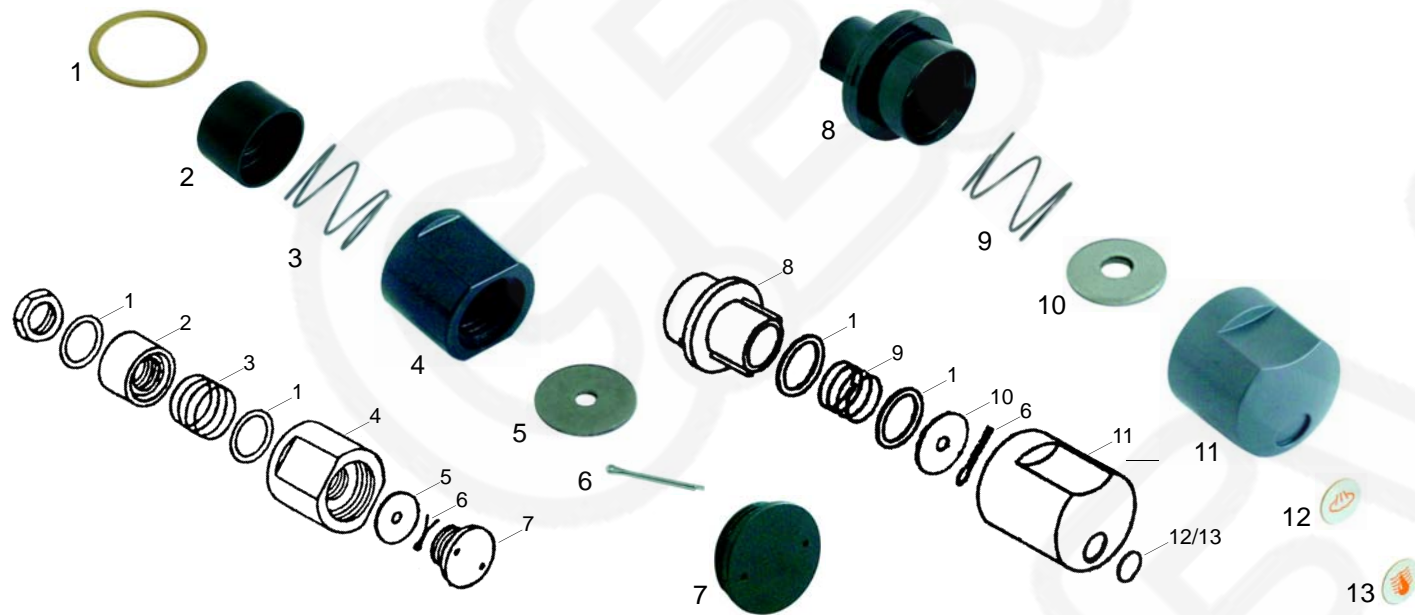
1
Passend für/Suitable for Mairali



| Abb. Pict. | Bestell-Nr. Order-No. | Beschreibung Description |
|------------|-----------------------|---|
| 1 | 529520 | Dampf-/Wasserhahn/kpl. Steam-/Watertap/cpl. |
| 2 | 528427 | Dampf-/Wasserhahn/kpl. Steam-/Watertap/cpl. |
| 3 | 528520 | Cu-Dichtung Cu-gasket |
| 4 | 528648 | Dichtung (Viton) Gasket (viton) |

| Abb. Pict. | Bestell-Nr. Order-No. | Beschreibung Description |
|------------|-----------------------|-------------------------------|
| 5 | 528484 | Feder Spring |
| 6 | 528649 | O-Ring (Viton) O-ring (viton) |
| 7 | 528643 | Schraube Screw |
| 8 | 528644 | Scheibe Washer |

| Abb. Pict. | Bestell-Nr. Order-No. | Beschreibung Description |
|------------|-----------------------|--------------------------|
| 9 | 528645 | Feder Spring |
| 10 | 528646 | Scheibe Washer |
| 11 | 528647 | O-Ring O-ring |



| Abb. Pict. | Bestell-Nr. Order-No. | Beschreibung Description |
|------------|-----------------------|--------------------------|
| 1 | 528759 | Scheibe Washer |
| 2 | 528650 | Buchse Bush |
| 3 | 528780 | Feder Spring |
| 4 | 111104 | Knebel Knob |
| 5 | 528781 | Scheibe Washer |

| Abb. Pict. | Bestell-Nr. Order-No. | Beschreibung Description |
|------------|-----------------------|--------------------------|
| 6 | 528762 | Stift Pin |
| 7 | 111110 | Deckel Cap |
| 8 | 528760 | Buchse Bush |
| 9 | 528758 | Feder Spring |

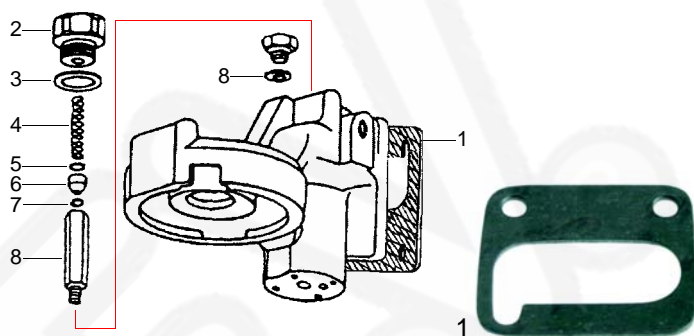
| Abb. Pict. | Bestell-Nr. Order-No. | Beschreibung Description |
|------------|-----------------------|--------------------------|
| 10 | 528761 | Scheibe Washer |
| 11 | 111122 | Knebel Knob |
| 12 | 111113 | Deckel/Dampf Cap/steam |
| 13 | 111114 | Deckel/Wasser Cap/water |

1 Rohre/Pipes

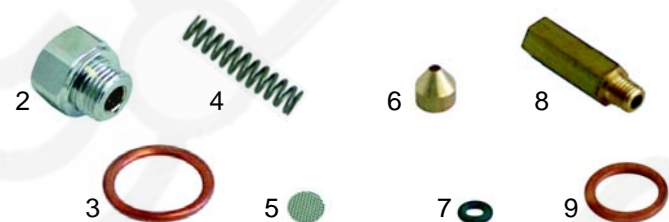


| Abb. Pict. | Bestell-Nr. Order-No. | Beschreibung Description | Abb. Pict. | Bestell-Nr. Order-No. | Beschreibung Description | Abb. Pict. | Bestell-Nr. Order-No. | Beschreibung Description |
|------------|-----------------------|------------------------------------|------------|-----------------------|---|------------|-----------------------|--------------------------|
| 1 | 529521 | Dampfrohr Steam pipe | 6 | 528646 | Scheibe Washer | 10 | 528401 | Dichtung Gasket |
| 2 | 529522 | Wasserrohr Water pipe | 7 | 528647 | O-Ring (Viton) O-ring (viton) | 11 | 528184 | Feder Spring |
| 3 | 528643 | Augenschraube Banjo stem single | 8 | 529587 | Dampfrohr Steam pipe | 12 | 528653 | Scheibe Washer |
| 4 | 528644 | Scheibe Washer | 8 | 529588 | Dampfrohr (CNS) Steam pipe (stainless steel) | 13 | 528654 | Buchse Bush |
| 5 | 528645 | Feder Spring | 9 | 529589 | Wasserrohr Water pipe | 14 | 528655 | O-Ring O-ring |

Gruppe/Group



| Abb. Pict. | Bestell-Nr. Order-No. | Beschreibung Description |
|------------|-----------------------|---------------------------------|
| 1 | 528763 | Gruppendichtung Group gasket |



| Abb. Pict. | Bestell-Nr. Order-No. | Beschreibung Description |
|------------|-----------------------|-------------------------------------|
| 2 | 528659 | Endkappe Ending cap |
| 3 | 528520 | Dichtung Gasket |
| 4 | 528668 | Feder Spring |
| 5 | 528669 | Filter Filter |
| 6 | 528670 | Düse Nozzle |
| 7 | 528765 | O-Ring (Viton) O-ring (viton) |
| 8 | 528766 | Verlängerung, M6 Lengthening, M6 |
| 8 | 528767 | Verlängerung, M8 Lengthening, M8 |
| 9 | 528662 | Cu-Dichtung Cu-Gasket |

Dusche/Shower



| Pos. Item | Bestell-Nr. Order-No. | Beschreibung Description |
|-----------|-----------------------|--------------------------|
| 1 | 529081 | Verteiler Dispersion |
| 2 | 529080 | Dusche Shower |

Siebträgerdichtungen/Filter holder gaskets



| Abb. Pict. | Bestell-Nr. Order-No. | Beschreibung Description |
|------------|-----------------------|--|
| 1 | 528033 | Distanzeinlage, 71 x 68mm Shim gasket, 71 x 68mm |
| 2 | 528030 | Siebträgerdichtung, 73 x 57 x 8mm Filter holder gasket, 73 x 57 x 8mm |
| 2 | 528031 | Siebträgerdichtung, 73 x 57 x 8,5mm Filter holder gasket, 73 x 57 x 8,5mm |
| 2 | 528032 | Siebträgerdichtung, 73 x 57 x 9mm Filter holder gasket, 73 x 57 x 9mm |
| 3 | 529079 | Siebträgerfeder Filter holder spring |

Filter/Filter



| Abb. Pict. | Bestell-Nr. Order-No. | Beschreibung Description |
|------------|-----------------------|--|
| 1 | 529012 | Filter, 1 Tasse (6g) Filter, 1 cup (6g) |
| 1 | 529011 | Filter, 1 Tasse (7g) Filter, 1 cup (7g) |
| 2 | 529014 | Filter, 2 Tassen (12g) Filter, 2 cups (12g) |
| 2 | 529013 | Filter, 2 Tassen (14g) Filter, 2 cups (14g) |
| 3 | 529023 | Blindfilter Blindfilter |

Siebträger/Filter holder



| Abb. Pict. | Bestell-Nr. Order-No. | Beschreibung Description |
|------------|-----------------------|--|
| 1 | 529041 | Siebträger, M12 Filter holder, M12 |
| 2 | 529121 | Siebträger-Griff Filter holder handle |
| 3 | 529148 | Siebträger-Griff Filter holder handle |
| 4 | 529147 | Deckel Cap |

Passend für/Suitable for Mairali

1 Siebträger/Filter holder



| Abb. Pict. | Bestell-Nr. Order-No. | Beschreibung Description |
|------------|-----------------------|--|
| 1 | 529150 | Siebträger Filter holder |
| 2 | 529112 | Siebträger-Griff Filter holder handle |
| 3 | 529123 | Schraube Screw |

Ausläufe/Spouts



| Abb. Pict. | Bestell-Nr. Order-No. | Beschreibung Description |
|------------|-----------------------|---|
| 1 | 529001 | Auslauf 3/8", 1 Weg lang Spout 3/8", one way long |
| 2 | 529003 | Auslauf 3/8", 1 Weg gebogen Spout 3/8", one way curved |
| 3 | 529007 | Auslauf 3/8", 2 Wege kurz Spout 3/8", two way short |